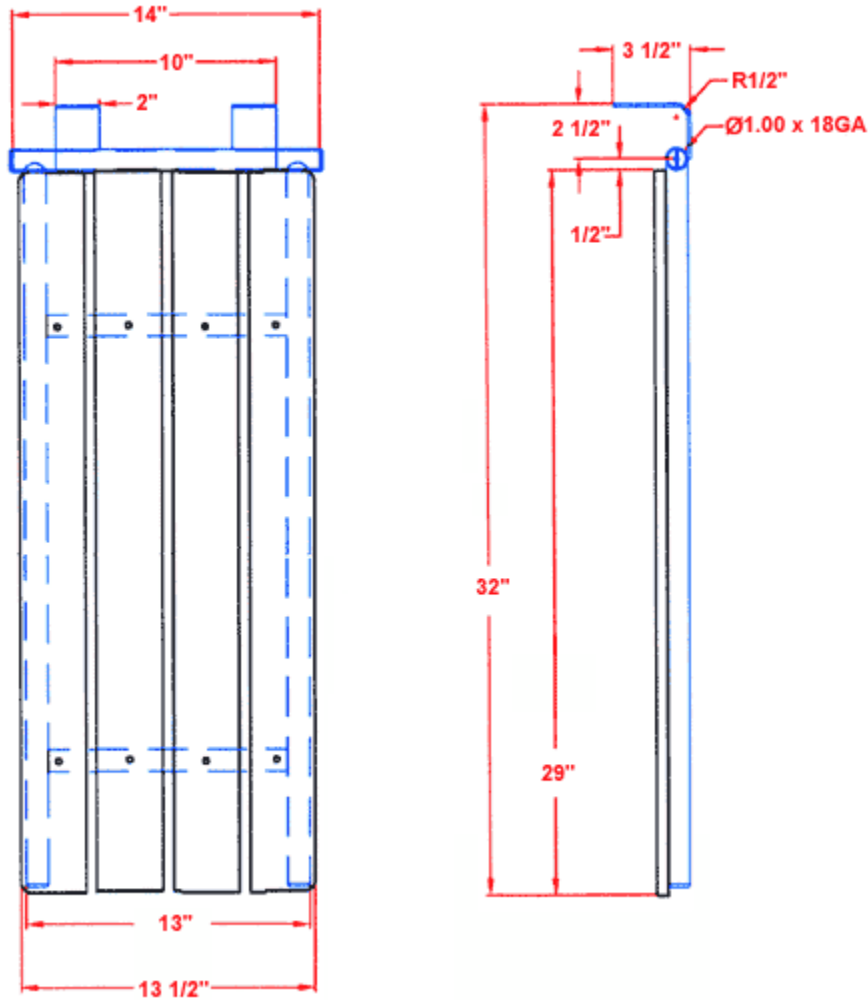


CA421SM – Specifications



Operation:

Seat is held in a raised position by a tension rod placed in the rear crossmember. When seat is lowered into the down position, it must rest securely on the tub dam for support.

Architectural Specifications:

Model # CA421SM

Frame: Type 304 (18-8) S.S. Tube, 1-1/4" (32mm) x 18ga. (1.2mm) sq. mainframe with 1" (25mm) x 18ga. (1.2mm) rd. cross members.

Materials:

Frame: Type 304 (18-8) S.S. Tube, 1-1/4" (32mm) x 18ga. (1.2mm) sq. mainframe with 1" (25mm) x 18ga. (1.2mm) rd. cross-members.

Wall Brackets (2): Type 304 (18-8) S.S. 10ga. (3.4mm) x 2" (52mm) wide x 3.5" (88.9mm) long heliarc welded to 1" (25mm) rd. x 18ga. (1.2mm). Constant friction hinge. 3 Mounting holes in each bracket.

Seat Choices: (Designated when ordering)

NW or NA – White (NW) or Almond (NA) Naugahyde covering 2" (51mm) foam mounted on 1/2" (13mm) marine plywood.

PW, PA or PT – White (PW), Almond (PA), or Teak (PT) finish – Phenolic 1/2" (13mm) x 3" (76mm) slats bolted to frame with SS screws.

Installation:

Lay seat flat resting on both sides of the tub. Set hinge flat against the tub wall and mark hole. (Make sure bottom of hinge rests on tub surface for support.)

All Shower Seats must only be installed using suitable fasteners and sufficient in-wall backing materials. ADA mounting height for seat in lowered position is 17" to 19".

Compliance Alliance
P.O. Box 566
Palmyra, VA 22963